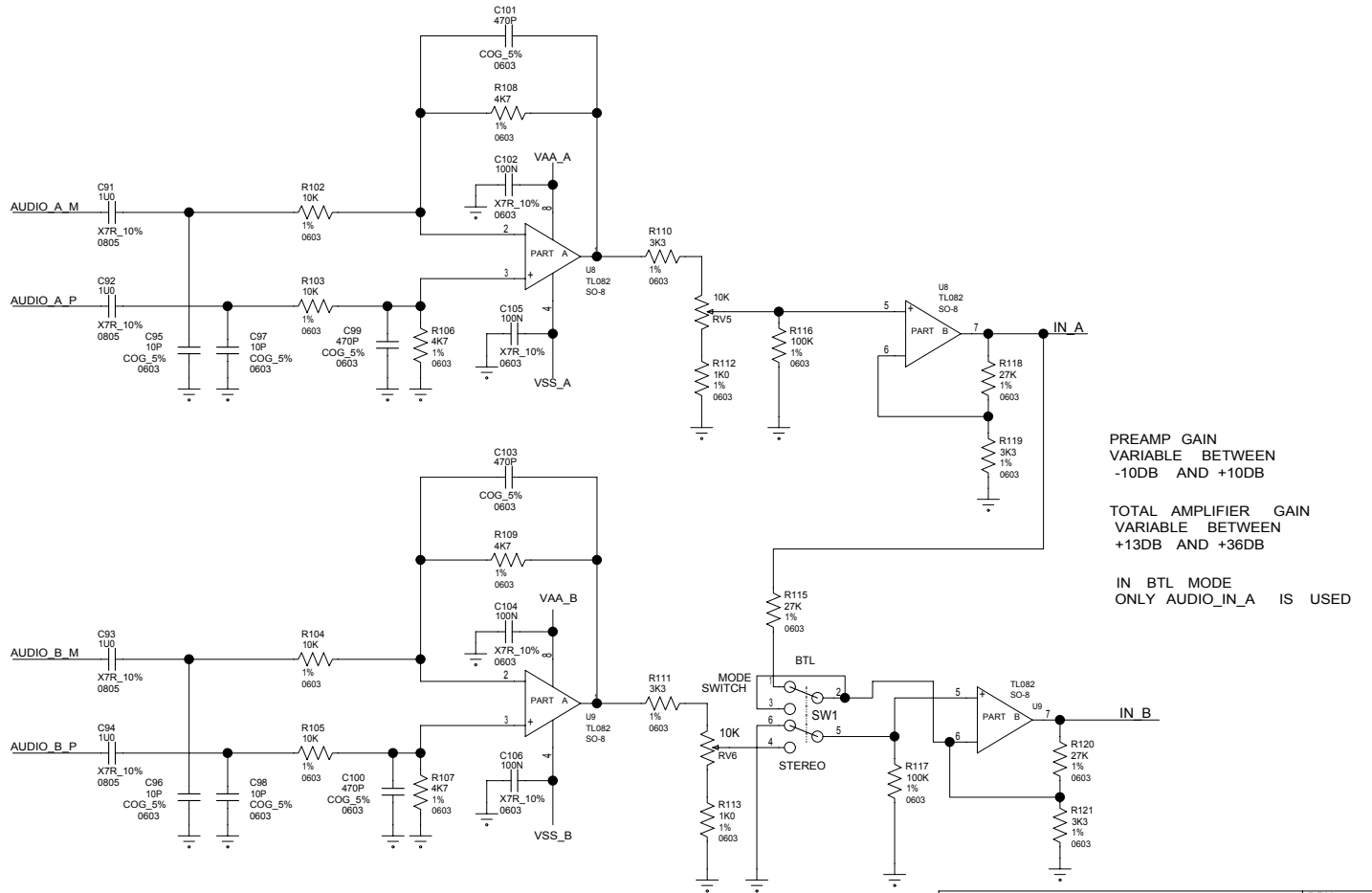
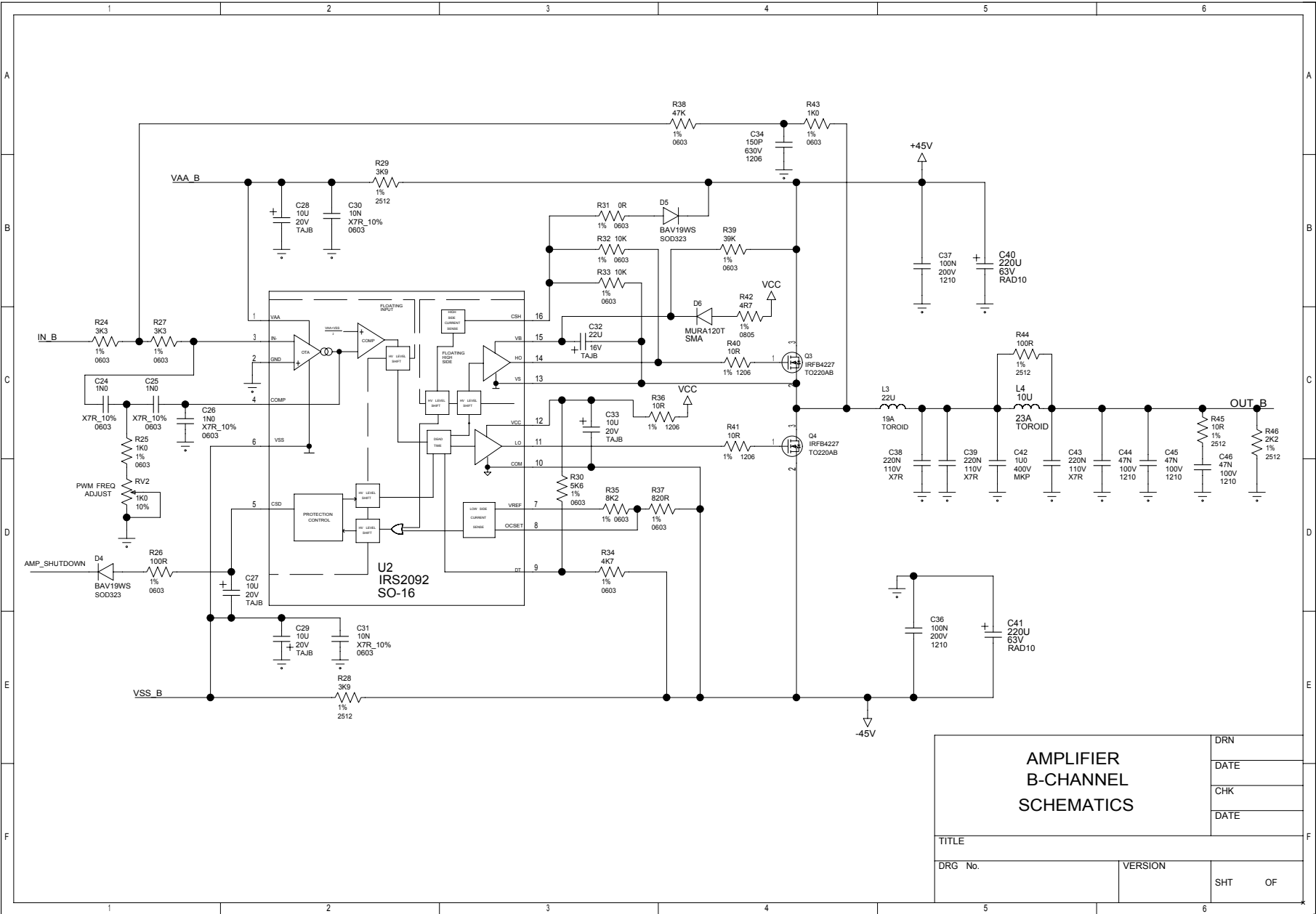


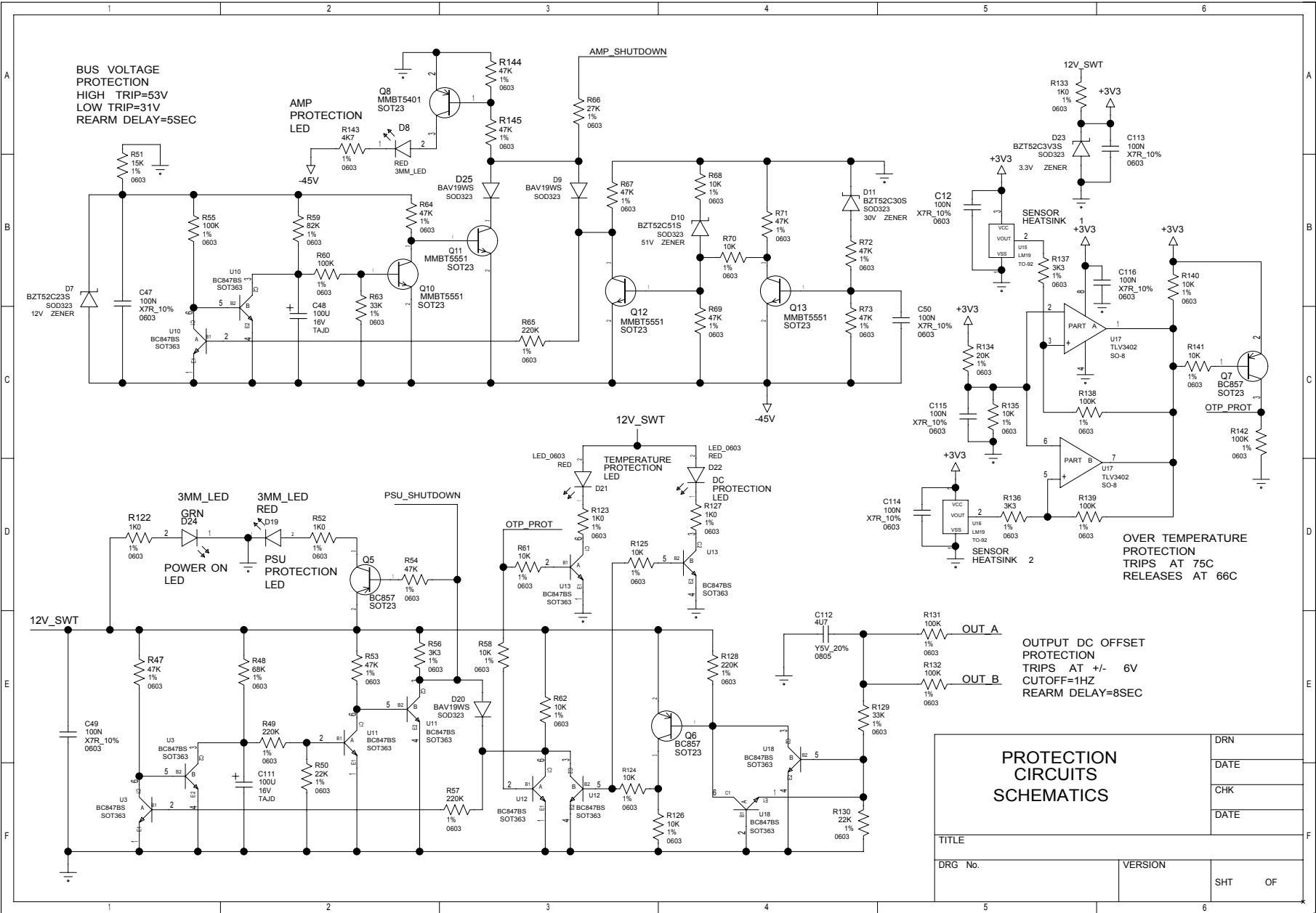
TITLE		DRN
DRG No.		DATE
VERSION		CHK
SHT		DATE
OF		





AMPLIFIER
B-CANNEL
SCHEMATICS

TITLE		DRN
DRG No.		DATE
VERSION		CHK
SHT		DATE
OF		



BUS VOLTAGE PROTECTION
HIGH TRIP=53V
LOW TRIP=31V
REARM DELAY=5SECC

AMP PROTECTION LED

AMP_SHUTDOWN

TEMPERATURE PROTECTION LED

DC PROTECTION LED

SENSOR HEATSINK

POWER ON LED

PSU PROTECTION LED

PSU_SHUTDOWN

OTP PROT

OVER TEMPERATURE PROTECTION TRIPS AT 75C RELEASES AT 66C

OUTPUT DC OFFSET PROTECTION TRIPS AT +/- 6V CUTOFF=1HZ REARM DELAY=8SECC

PROTECTION CIRCUITS SCHEMATICS

TITLE		DRN
DRG No.		DATE
VERSION		CHK
SHT OF		DATE